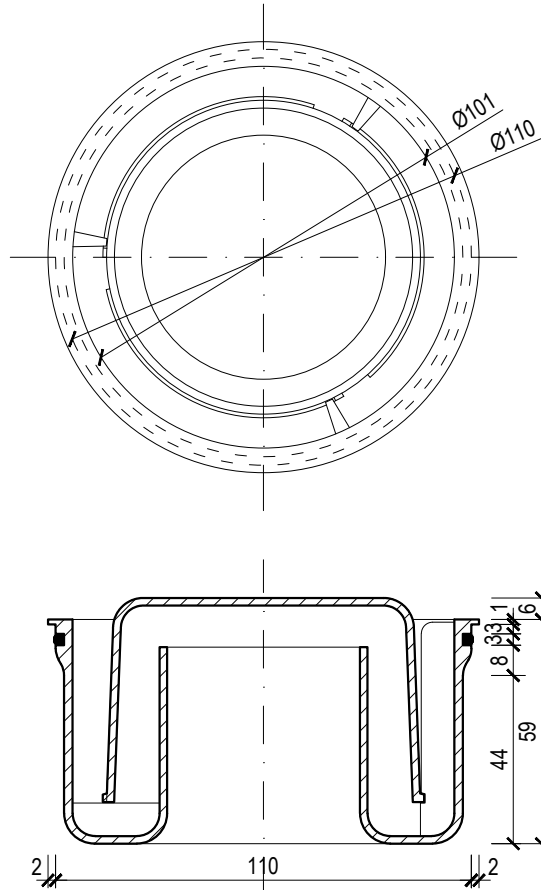
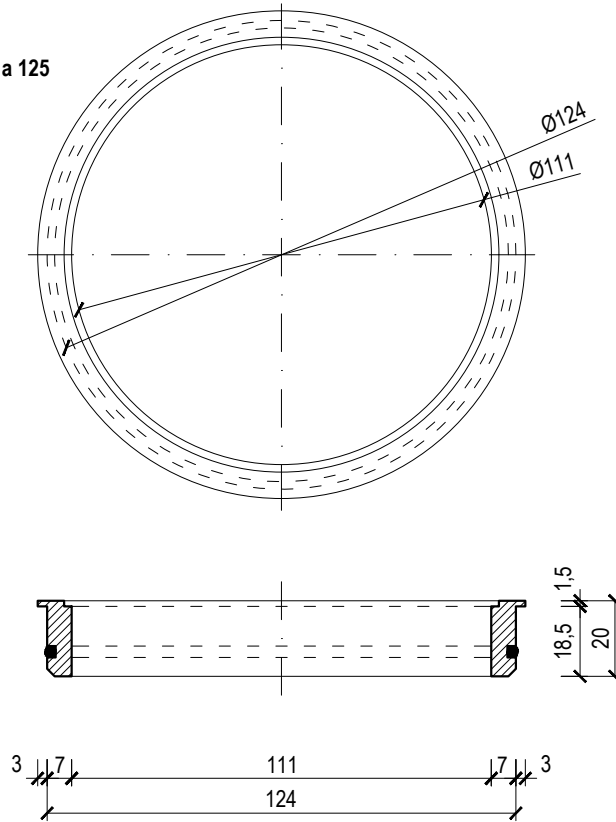


WATER STINK TRAP DN 110



DISTANCE RING DN 125
ONLY FOR ROOF OUTLETS TW(E) 75, 110 a 125



Name **WATER STINK TRAP**

Type **TWZU**

Code 210920125

Scale 1:2

Weight 0,15 kg

Material POLYAMIDE

TOPWET

SYSTEMS FOR DRAINAGE
OF FLAT ROOFS

info@topwet.cz

www.topwet.cz